



AI-Powered 5-Channel Mobile DVR

With AI, 4G & GPS Functionality

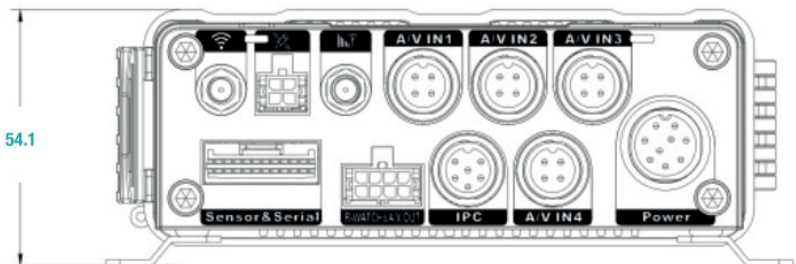
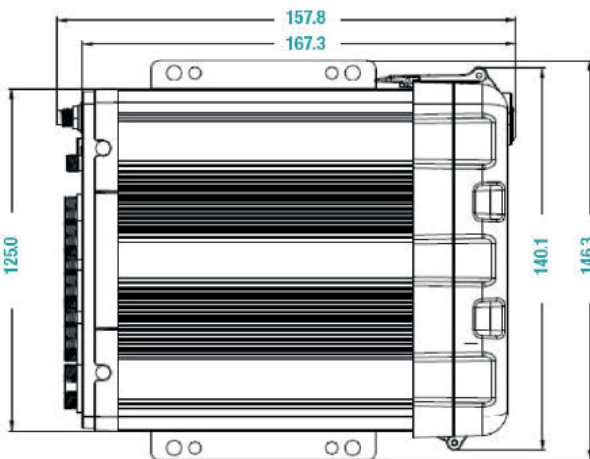
The **DVR-50-N-4GG** is high-performance mobile Digital Video Recorder, boasting with 4 AHD camera channels and 1 IPC channel. Powerful AI-functionality provides driver warnings including Driver Fatigue, Distraction, Mobile Phone usage and Smoking.

The **DVR-50-N-4GG** comes complete with built-in GPS features, 4G connectivity and trigger output to allow easy integration with telematics devices and can support up to 256GB SD card storage.



Key Features

- ▶ 4-Channel (1080P) + 1-Channel IPC (1080P)
- ▶ AI-functionality
- ▶ 2 x SD card slots (256GB)
- ▶ Lockable Storage case (to protect data)
- ▶ Integrated GPS & 4G connectivity
- ▶ Built-in 6-Axis G-Shock Sensor
- ▶ 12V-24V compatible (8V-36V input)
- ▶ Compatible with Touch Panel



SD CARD STORAGE



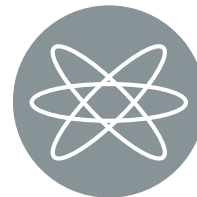
3G/4G



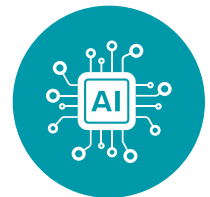
GPS / GLONASS



TAMPER-PROOF



G-SENSOR



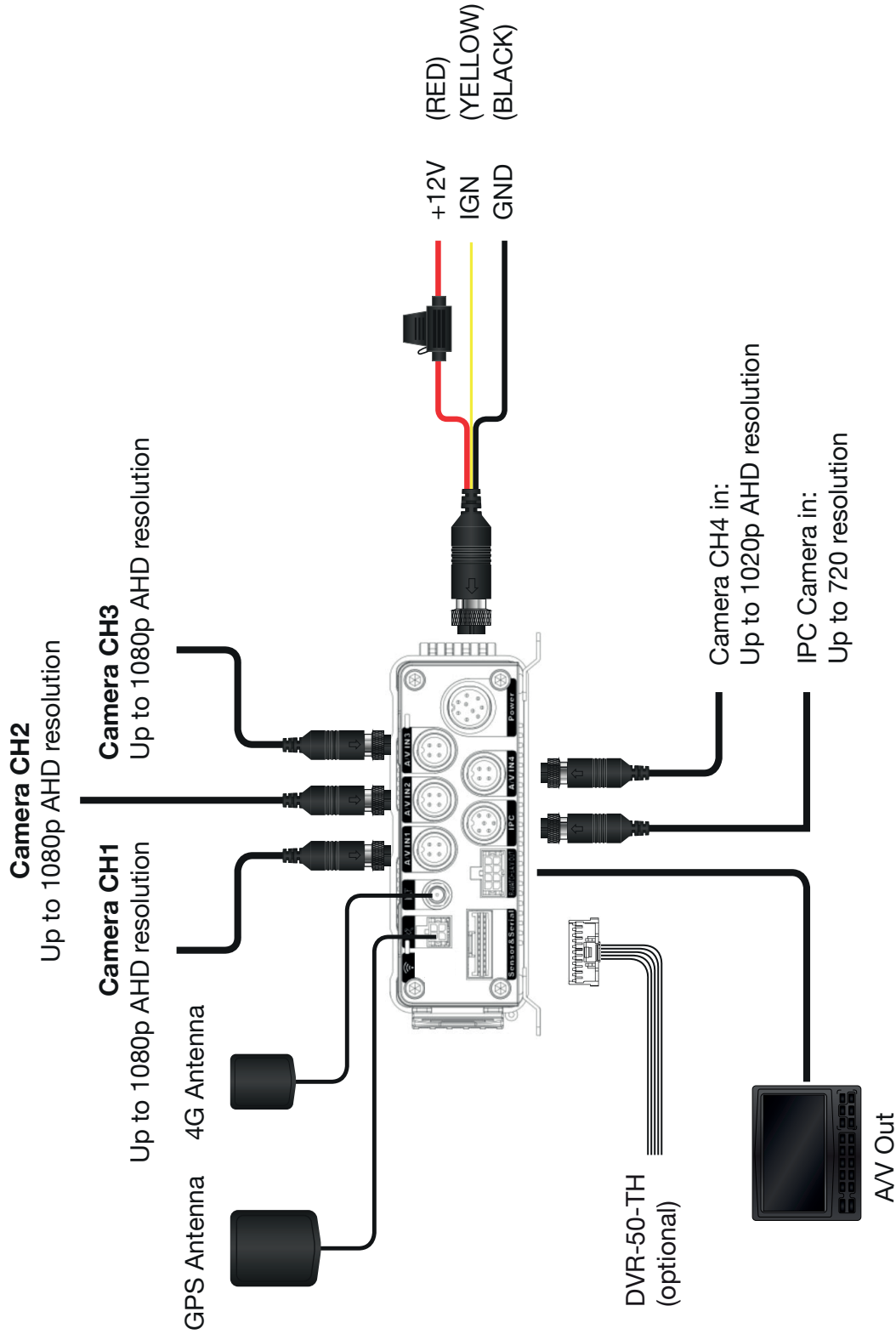
AI-FUNCTIONALITY

echomaster@aampglobal-eu.com

Call +44(0)1420 487110

EchoMaster-eu.com

Follow @EchoMasterEurope



System	
Operating System	Linux 4.9
Control Mode	CP4, mouse, EasyCheck, network (4G)
Video	
Operating System	Linux 4.9
Control Mode	CP4, mouse, EasyCheck, network (4G)
Total Resources* (equipped with 2-channel AI)	PAL: 1 x 1080P @ 25fps (ADAS) + 1 x 720P @ 25fps (DMS) + 2 x 720P @ 15fps (AHD) + 1 x 1080P @ 15fps (IPC) OR 4 x 720 @ 25fps (AHD) + 1 x 1080P @ 15fps (IPC) NTSC: 1 x 1080P @ 30fps (ADAS) + 1 x 720P @ 30fps (DMS) + 2 x 720P @ 15fps (AHD) + 1 x 1080P@15fps (IPC) OR 4 x 720 @ 30fps (AHD) + 1 x 1080P @ 15fps (IPC)
Total Resources (not using self-equipped AI)	PAL 4 x 1080P @ 15fps (AHD) + 1 x 1080P @ 25fps (IPC) OR 4*720@25fps (AHD) + 1 x 1080P @ 25fps (IPC) NTSC 4 x 1080P @ 15fps (AHD) + 1 x 1080P @ 30fps (IPC) OR 4 x 720 @ 30fps (AHD) + 1 x 1080P @ 30fps (IPC)
Video Signal Standards	Level: 1 Vpp; Impedance: 75 Ohm NTSC/PAL (optional)
Audio	
Input	5 Channels (1-channel IPC audio)
Output	1 Channel
Audio Signal Standards	Level: 2 Vpp; Input Impedance: 4.7 kilohm
Display	
Screen Split	1/4/9-Screen Display
Screen Display	Positioning Information, Alarms, License Plate Numbers, Driving Speed, Time, etc.
Operating Interface	GUI
Recording	
Video Compression Format	H.264 / H.265
Audio Compression Format	ADPCM,G.711U
Image Quality	Levels 1–8 Adjustable (Preferably Level 1)
Recording Mode	Startup / Manual / Scheduled / Alarm Event Recording
Alarm Prerecording	0 – 60 min
Alarm Recording Delay	0 - 30 min
Playback	
Playback Channel	1-Channel Local Playback
Search Mode	By Date/Time, Channel, or Event
Network	
IPC Ethernet	6-Pin Aviation Plug (1 x 100M, PON Power Supply)

Network	
2G/4G	Supported For Europe and Asia EC25-EC LTE FDD: B1/B3/B7/B8/B20/B28A WCDMA: B1/B8 GSM: B3/B8
Positioning	
GPS(Optional)	Positioning, Speed Detection, and Time Synchronisation GPS L1 1575.42 MHz BDS B1 1561.098MH GALILEO E1B/C1 GLONASS L1OF 1602MHz SBAS: WAAS, EGNOS, MSAS, GAGAN
Sensor	
G-Sensor	Built-in 6-Axis Inertial Sensor
Storage	
SD	2 × SD Card Slots
Ports	
USB	1 × USB2.0 (Type A)
RS485	1-Channel (R-WATCH)
RS232	2
IO	8-Channel Input and 2-Channel Output
Speed	1-Channel Pulse Speed Detection
Control Panel	CP4 (Accessories Optional)
Intercom	1 × MIC Port
CAN	1
UPS	Supported (External)
UTC	Supported
G-MOUSE	Supported and Connected with the 5559 Connector
Power Supply	
Input	DC 8 - 36 V
Output	5V @ 500 mA
Maximum Typical Power	29 W (5-Channels with IR on connected, CP4 connected (5V - OUT connected)
Standby Power Consumption	0.7 W
Physical Characteristics	
Dimensions (mm)	167.3 × 146.3 × 54.1
Weight (kg)	0.83
Environment	
Operating Temperature	-40°C - +70°C
Operating Humidity	8% to 95% (Non-Condensing)