



Full HD 1080p Connected Dash Cam & Driver-Facing Camera Kit

The **DC-6LTS-SC-DF** Dash Cam & Driver-Facing Camera Kit includes a Full HD 1080p Dash Cam with built-in forward-facing camera and 720p Driver-Facing camera offering a comprehensive safety solution for almost any vehicle.

2-way communication ensures the safety of your drivers should they require assistance and the high-quality built-in Echo & Noise cancelling functionality enables crystal clear audio when in use.

The 6-Axis G-Sensor which provides real-time alerts for rapid acceleration, braking, harsh cornering and accident detection whilst the Dual SD card storage ensures no key footage will be lost.



2-WAY COMMUNICATION



6-AXIS G-SENSOR



Wi-Fi CONNECTIVITY



4G FUNCTIONALITY



DUAL SD CARD (MAX 2 x 256GB)



NOISE & ECHO CANCELLING



ULTRA-WIDE VIEWING ANGLE



GPS FUNCTIONALITY

Full HD 1080p DashCam - DC-6LTS-SC

- ▶ 2MP 143° Full HD Camera
- ▶ Provides option to add an additional AHD camera
- ▶ 2-Way Audio Communication
- ▶ Built-in 6-Axis G Sensor
- ▶ Built-in Echo & Noise Cancelling
- ▶ Wi-Fi, 4G & GPS Functionality
- ▶ Dual SD Card Storage (Max 2 x 256GB)
- ▶ Sleep Mode & Remote Turn-On
- ▶ Quick and Easy Installation

Driver-Facing Camera - CAM-DF1-AHD-P

- ▶ 1/3" CMOS Sensor
- ▶ Operates at 0.05 LUX
- ▶ 115 Degree Viewing Angle
- ▶ 720P Resolution
- ▶ Built-in Audio

Both Dash Cam & Additional Camera are fully compatible with EchoMaster Connected*

Achieve Increased Functionality

Connecting your Dash Cam and Driver-Facing Camera to our Innovative Cloud-Based Video Telematics Platform and increase features and functionality to keep you in control of fleet.

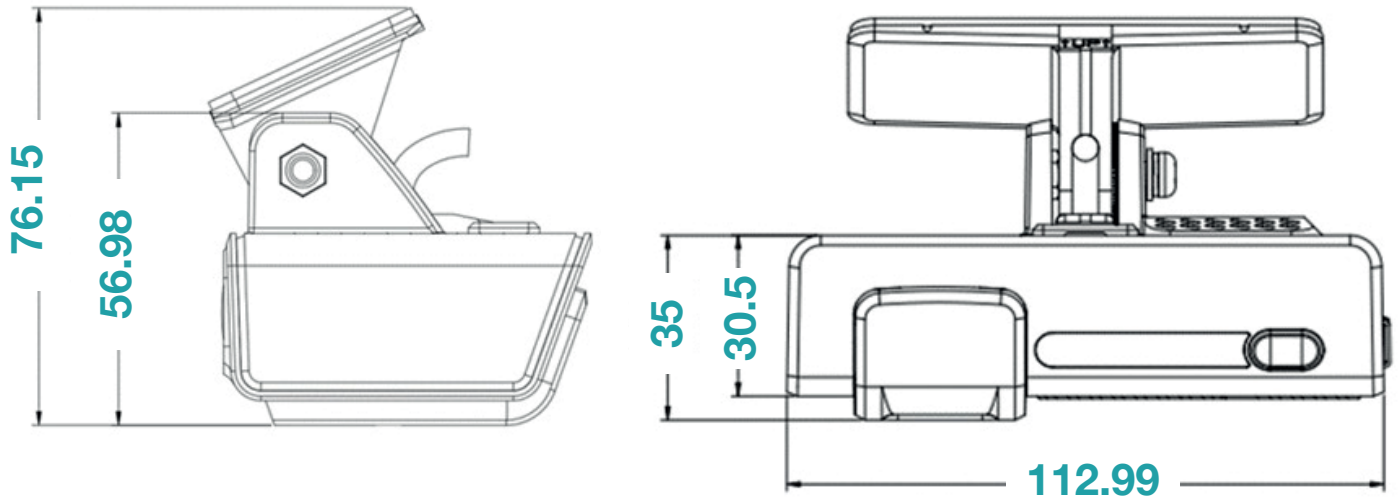
- ▶ Custom 'MAX' Speed Alarm
- ▶ G Shock (Crash Detection)
- ▶ Harsh Braking Alarm
- ▶ Harsh Acceleration Alarm
- ▶ Harsh Left/Right Turn Alarm
- ▶ Geo-Fencing
- ▶ Video-Loss Alarm
- ▶ Further Custom Alarm Triggers



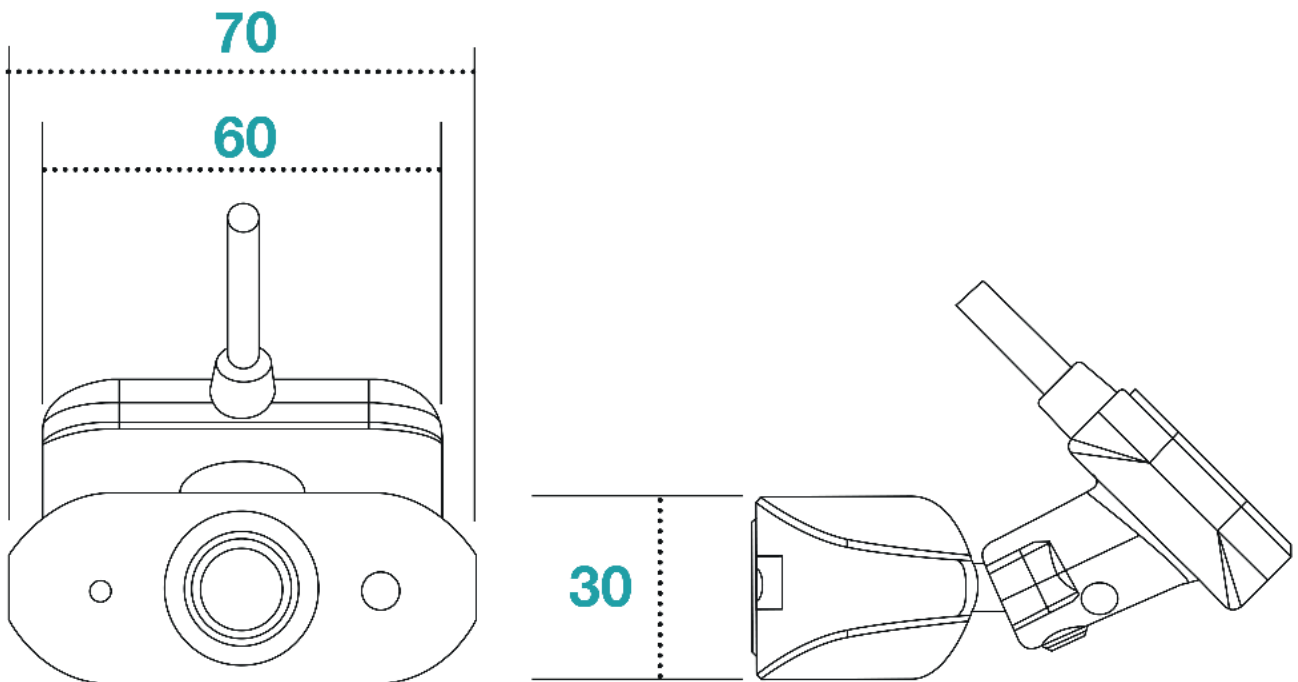
*EchoMaster Connected provides a complete real-time video & vehicle tracking solution across Mobile App, PC Software and Web Browser

Dimensions

Dash Cam - DC-6LTS-SC



IPC Camera - DC-C26-CAM



Specifications

Dash Cam - DC-6LTS-SC

Video/Audio

Video/Audio Recording	1 Channel (Video) + 1 Channel (Audio)
Max. Capability	1080P @ 25fps
Image Setup	Adjustable Brightness, Chroma, Contrast, Colour Saturation and Sharpness
Video Coding	Options: H.264 and H.265
CBR/VBR	Options: VBR and CBR. Default: VBR
Audio	Built-in Microphone
Loudspeaker	Built-in Speaker, Power: 3W (with adjustable volume, not less than 70 dB at 1m distance)

Lens

Sensor Type	1/2.8" 2-Megapixel CMOS Sensor
Shutter Speed	1/30s-1/100000s
Lens	Focal Length: 2.6 mm DFOV: 143°; Deviation: $\pm 5^\circ$
Minimum Illuminance	Colour: 0.05 Lux/F1.2
Wide Dynamic Range (WDR)	Digital WDR
Backlight Compensation	Supported

Storage

Micro SD card	Micro SD card $\times 2$, (SDXC 64GB/128GB/256GB) Read/write rate: Class10 or above is recommended
---------------	--

Sensor

Six-axis Sensor	Harsh Acceleration / Deceleration / Cornering + Accident Detection
-----------------	--

Port

RS232	1 Channel
I/O Port	4 Input
USB	1 \times Mini USB port
Button	1 (To switch Wi-Fi to AP mode, press the button twice within 2s) * For details of other buttons, refer to the user manual of the product.

Network

Wi-Fi	Supported 2.4G (IEEE Std.802.11a/IEEE Std.802.11b/IEEE Std.802.11g/IEEE Std.802.11n)
4G	Plug-in SIM card (Nano SIM card) For Europe and Asia: LTE FDD: B1/B3/B7/B8/B20/B28A WCDMA: B1/B8 GSM: B3/B8

Specifications

Dash Cam - **DC-6LTS-SC**

Positioning

GNSS	Supported GPS L1 1575.42MHz SBAS: WAAS, EGNOS, MSAS, GAGAN
------	--

Power Related

Power Supply	12V and 24V Vehicles (Self-Adaptive)
Power Consumption	In Standby Mode:13.5V@5.66mA, 27V@3.4mA In Sleep Mode (4G and MCU powered): 13.5V@64~112mA, 27V@34~62mA Typical power consumption (with dual SD cards installed and SIM card for dialing): about 4.32W

Environment

Operating Temperature	40°C ~ +70°C (-40°F ~ +158°F)
Storage Temperature	40°C ~ +85°C (-40°F ~ +185°F)
Operating Humidity	15~95% Non-Condensing
Storage Humidity	15~95% Non-Condensing
IP Rating	IP30 * The Dashcam is Non-Waterproof

Dimensions & Weight

Dimensions (L x W x D)	Dashcam: 113.0 mm×67.8 mm×57 mm (excluding bracket); Deviation: ±2 mm Package: 176 mm×150 mm×114 mm; Deviation: ±3 mm
Weight	Net Weight (device only): 265g Gross Weight (including accessories and package): 715g Deviation: ±10g

Specifications

IPC Camera - DC-C26-CAM

Camera Specification	Sensor	1/3" 1.23M pixel CMOS Sensor
	Electronic Shutter	1/30 Second-1/100000 Second
	Lens	2.3mm
	Minimum illumination	0Lux @ F1.2 (IR on)
	Wide Dynamic Range	Digital WDR ≥80db
	Resolution	720P
	Black-light Compensation	Support
	S/N	≥50db
	Day/Night IR-Cut	IR LED's
	Audio	Support
	Synchronization system	Internal synchronization
	Scanning system	2:1 interlaced scanning
	Gamma correction	0.45
	Video/Audio	Image setting
Video coding		H.264 Baseline Profile
Video compression bit rate		Video: 500Kbps~6Mbps
Audio compression standard		ADPCM
Main Stream Resolution		720P@ 30fps
Audio input		Built in Mic
Others	Power supply	DC 9~16V
	Power	1.6W (IR on)
	Working temperature	-30°C~+70°C
	Storage temperature	-40°C~+85°C
	Humidity	0% - 95%