



# Bullet Style Flush Mount Camera with Parking Lines

The **PCAM-220-P** compact bullet-style flush mount camera is the perfect way to discreetly add a fully functional side or backup camera to your vehicle. Equipped with selectable parking lines for extra help when reversing, the PCAM-220-P can make a huge difference in your driving experience. With an IP67 Water/Debris-proof rating to minimise the ingress of water and moisture.

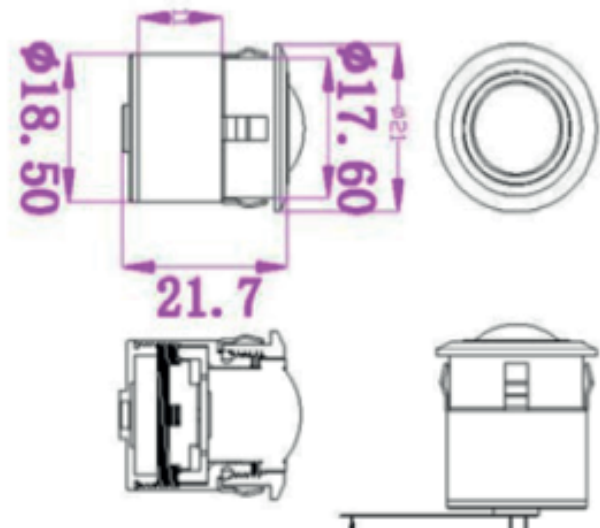


## Key Features

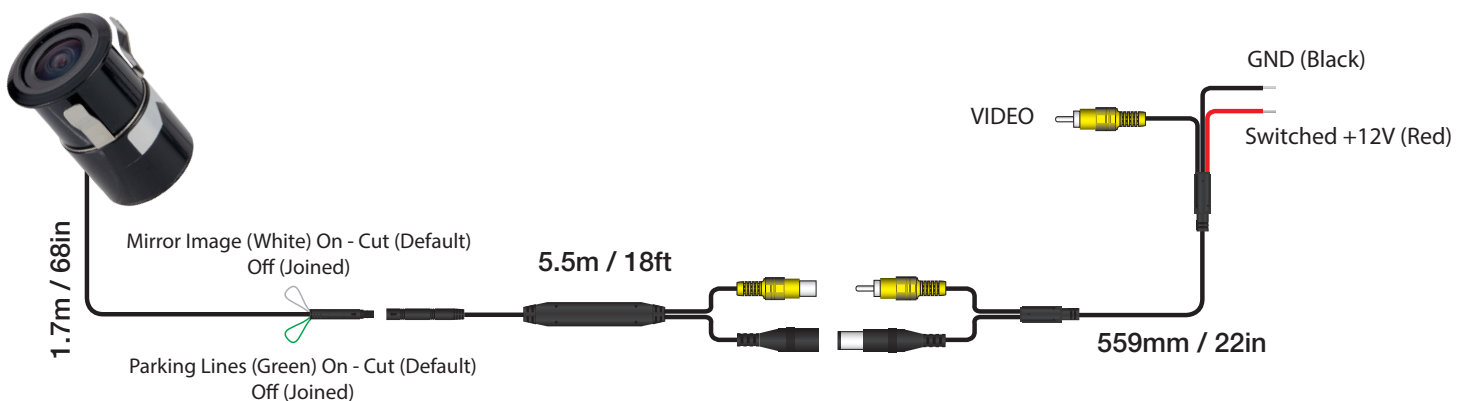
- ▶ 1/4" CMOS Sensor
- ▶ Operates at 0.5 LUX
- ▶ 170 Degree Viewing Angle
- ▶ IP67 Water/Debris-proof Rated
- ▶ Parking Lines (Selectable)
- ▶ Selectable Image (Mirrored/Mon-Mirrored)

## Box Contents

- ▶ Camera
- ▶ Manual
- ▶ Mounting Hardware
- ▶ Hole Saw



## Wiring Diagram & Pin Out





|                     |                          |      |
|---------------------|--------------------------|------|
| Sensor              | 1/4" CMOS                |      |
| LEDs                | 0                        |      |
| Illumination        | 0.5 LUX                  |      |
| Viewing Angle       | 170 degrees              |      |
| Mirror Image        | YES                      |      |
| Normal Image        | YES                      |      |
| Water/Debris-Proof  | IP67                     |      |
| Audio               | NO                       |      |
| Power Supply        | 9-16V DC                 |      |
| Current             | <50mA                    |      |
| Working Temperature | -30°C - +70°C            |      |
| Dimensions (mm)     | D (22) x W (18) x H (18) |      |
| System              | PAL                      | NTSC |
| TV Lines            | 420                      | N/A  |
| Resolution (HxV)    | 648 x 488                | N/A  |