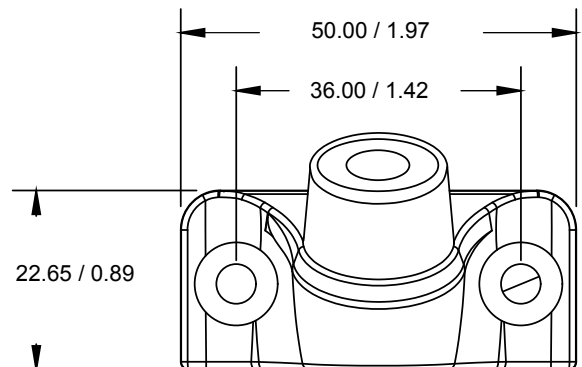
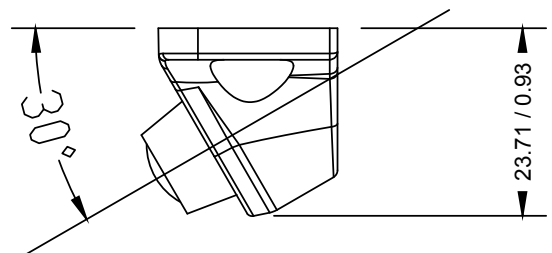




Lip Mount or Trunk Mount Camera with Parking Lines

With an IP67 Water/Debris-proof rating, the **PCAM-150-P** is a versatile safety camera built to weather the elements. Resistant to all dust intrusion, and capable of withstanding water immersion over 1 metre, the PCAM-150-P just won't quit. The CMOS camera sensor gives a clear view of your surroundings, while adjustable parking lines help guide you through difficult parking situations with ease.



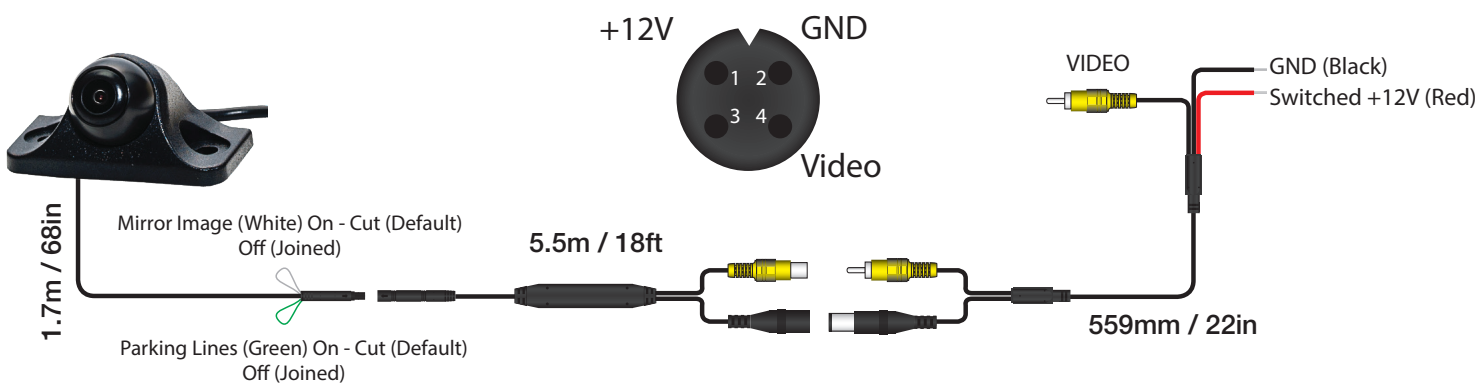
Key Features

- ▶ 1/4" CMOS Sensor
- ▶ Operates at 0.5 LUX
- ▶ 170 Degree Viewing Angle
- ▶ IP67 Water/Debris-proof Rated
- ▶ Parking Lines (Selectable)

Box Contents

- ▶ Camera
- ▶ RCA adapter
- ▶ Wiring Harness
- ▶ Mounting Hardware
- ▶ Manual

Wiring Diagram & Pin Out





Sensor Type	CMOS	
LEDs	0	
Illumination	0.5 LUX	
Viewing Angle	170 degrees	
Mirror Image	YES	
Normal View	Switchable	
Water/Debris-Proof	IP67	
Audio	NO	
Power Supply	9-16V	
Current	<50mA	
Working Temperature	-30C - +70C	
Dimensions (mm)	D (23) x W (50) x H (24)	
System	PAL	NTSC
TV Lines	420	N/A
Resolution	648 x 488	N/A