



7" Touchscreen Monitor User Manual



ECHOMASTER

Introduction

Thank you for purchasing your EchoMaster touchscreen automotive monitor.

This touchscreen monitor is designed to be used with EchoMaster DVR-50, DVR-150, DVR-350 and DVR-580 devices. It has touchscreen capability for ease of use when operating and setting up the listed DVR devices.

Please ensure you read and understand all aspects of this manual before fitting or using your EchoMaster monitor.

Box Contents

- ▶ Touchscreen Monitor
- ▶ Mounting Bracket
- ▶ User Manual

Supplied with MON-7010-TS-KIT

- ▶ Bracket
- ▶ Sunshade
- ▶ Mic Harness
- ▶ Mic

Key Features

- ▶ 7" Touchscreen display
- ▶ RS232 Interface for DVR Control
- ▶ Rear Camera Input
- ▶ Microphone Input

Fitting Instructions

Choose a mounting location that will not obscure the drivers view.

Also, please ensure that the unit is not mounted in a location that will obstruct the operation of any airbags.

If any mounting holes are to be drilled ensure that there are no wiring harnesses or hoses/pipes located behind the panel before drilling.

If the cable passes through any metalwork then a suitable grommet and anti-rust galvaniser should be utilised.

Mount the monitor bracket and run the cable behind the dash and wire up in accordance to the wiring diagram provided on page 5.

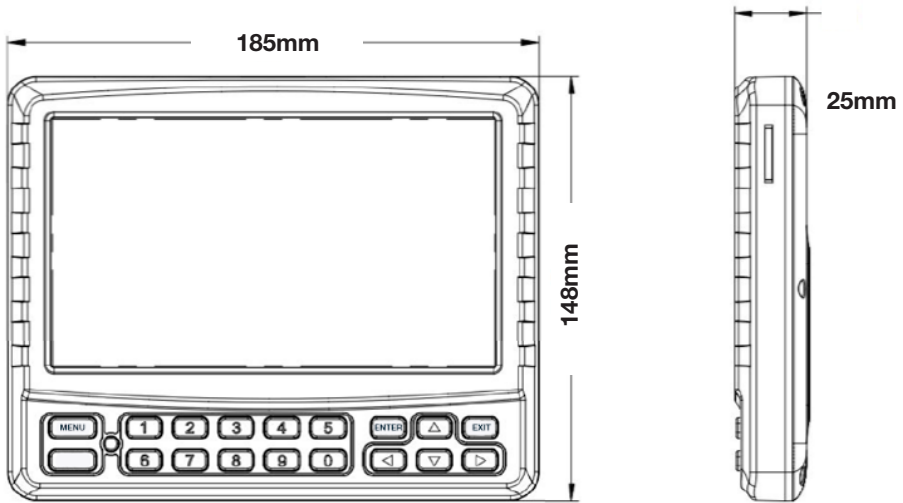
Adjust the monitor viewing angle and secure with the supplied mounting bolts.

Optional Extras

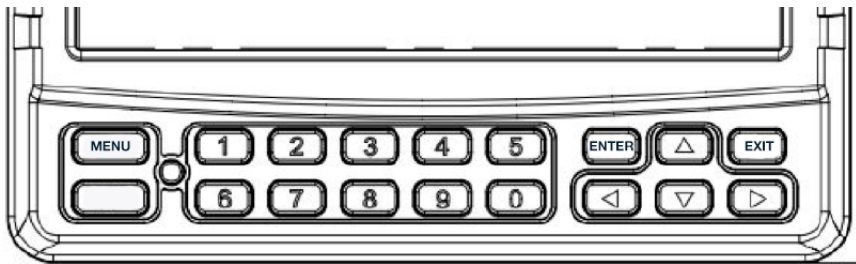
TC-MON-7010-TS, adapter cable to allow touchscreen setup and control of DVR-50 and DVR-150 devices (this cable is not required with DVR-350 and DVR-580 devices).

T: +44(0)1420 487110

Dimensions

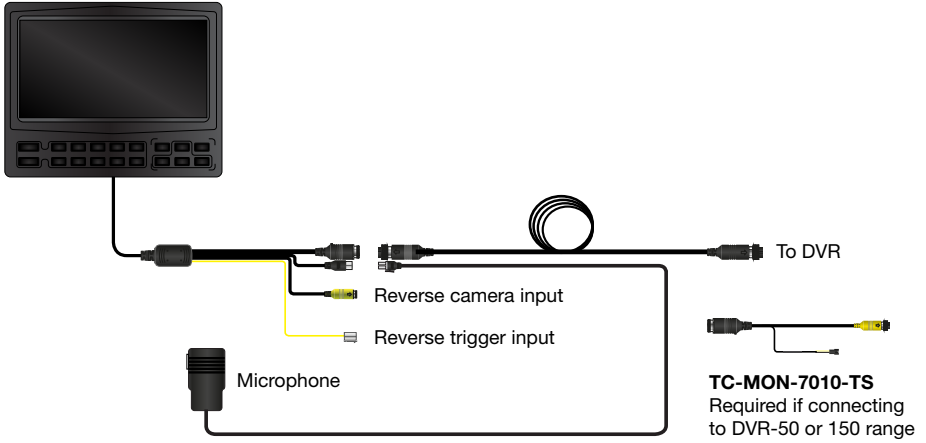


Button Definition

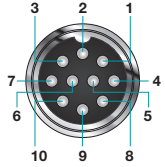
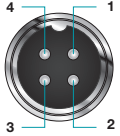
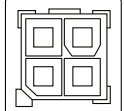



The MON-7010-TS has 18 buttons incorporated to allow different functions depending upon application.

Wiring Diagram



Definition

Connector	Function	Definition
MDVR	Black 10 Pin aviation-DIN male connector to Streamax MDVR	 <ul style="list-style-type: none"> 19 VIDEO 20 9 GND 2 1 +12V 24AWG 3 2 GND 24AWG 13 3 RS232 15 4 RS232 1 5 AUDIO + 3 6 AUDIO - 10 7 MIC + 14 8 MIC -
CAM	Yellow 4 Pin aviation-DIN connector connects to reversing camera	 <ol style="list-style-type: none"> 1. Power + 2. GND 3. Audio Signal 4. Video Signal
MIC	Connects to driver microphone (if installed)	 <ol style="list-style-type: none"> 1. GND 2. MIC + 3. MIC - 4. MIC_SM_IN
SENSOR	Reverse trigger input line. Connect to +12v switched reverse.	 <p>SENSOR</p>

Specification

Screen Size	7.0"
Power Supply	12v
Operating Current	200mA
System	PAL/NTSC
Screen Ratio	16:9
Resolution	800 x 480
Working Temp	-20°~+70° C
Rear Camera Connection Type	Yellow GX16-4 Aviation Connector
Built-In Speakers	Speaker (16Ω, 2W) x2



T: +44(0)1420 487110

E: echomaster@aampglobal-eu.com

W: [**EchomasterEurope.co.uk**](http://EchomasterEurope.co.uk)

EchoMaster is a brand of AAMP Global
Woolmer Way, Bordon, Hampshire, GU35 9QE

aampglobal-eu.com